

P



#### MAIN FEATURES

- CAN OPEN DSP 404 Module interface
- Resolution 16bit
- Input signal from extensometric bridge
- Din bar connection
- Plastic case
- Electrical connections by terminal board
- Led for status signal or error signal

The CAN OPEN module interface for not-amplified transducers has been developed to acquire low level signals from strain gage bridges (load cells, pressure transducers) and to convert them in digital format according to standard CAN OPEN DSP 404.

Available on plastic version.

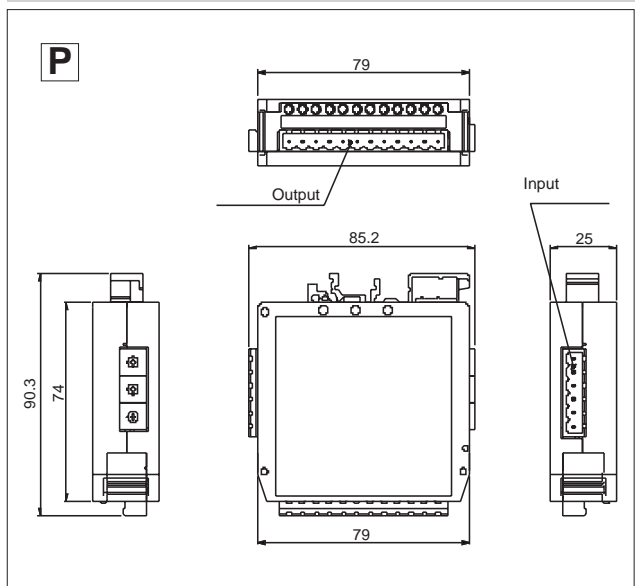
This module makes easier the creation of the CAN nets using sensors and standard transducers with savings on wiring costs.

This is the ideal solution for retrofitting or for the up-grade for systems and machineries.

#### TECHNICAL SPECIFICATIONS

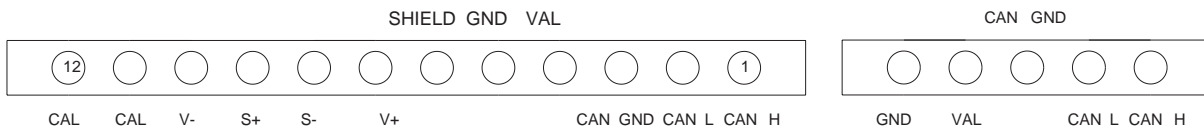
Input signal	1,5 - 3 mV/V 350Ω
Resolution	16 bit
Supply voltage	15 - 30 Vdc (typ 24 Vdc)
Operating temperature range	-10...+70°C
Communication protocol	DSP 404
Response time	≤ 20 ms
Baud range	10Kbaud...1Mbaud
Electrical connection	Terminal board (version P)
Mechanical connection	DIN bar connection
Protection degree	IP40 (version P)
Inverse polarity protection	YES
Output short-circuit protection	YES
Case material	Polyamide (version P)

#### MECHANICAL DIMENSIONS



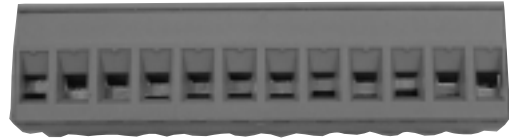
## ELECTRICAL CONNECTIONS

### MODEL P



## ACCESSORIES

12 pole female terminal board	<b>MOR 031</b>
5 pole female terminal board	<b>353429</b>



## ORDER CODE

<b>CASE</b>		<b>CMI</b> <input type="checkbox"/> <input type="checkbox"/> <input type="checkbox"/>
Polyamide	<b>P</b>	
<b>INPUT SENSIBILITY</b>		
1,5 mV/V	<b>1</b>	
2 mV/V	<b>2</b>	
2,5 mV/V	<b>3</b>	
3mV/V	<b>4</b>	
3.33mV/V	<b>5</b>	
<b>DEVICE PROFILE</b>		
DP 404	<b>4</b>	

Ex:

#### **CMI-P-5-4**

CAN OPEN DP404 Module interface for M3.../W3 series transducers 3.33mV/V output

#### **CMI-P-4-4**

CAN OPEN DP404 Module interface for TP series transducers 3 mV/V output

Sensors are manufactured in compliance with:

- EMC 2004/108/CE compatibility directive
- RoHS 2002/95/CE directive

Electrical installation requirements and Conformity certificate are available on our web site: [www.gefran.com](http://www.gefran.com)

**GEFRAN spa** reserves the right to make aesthetic or functional changes at any time and without notice.

# GEFRAN

**GEFRAN spa**  
 via Sebina, 74  
 25050 PROVAGLIO D'ISEO (BS) - ITALIA  
 tel. 0309888.1 - fax. 0309839063  
 Internet: <http://www.gefran.com>

DTS\_CMI\_0709\_ENG